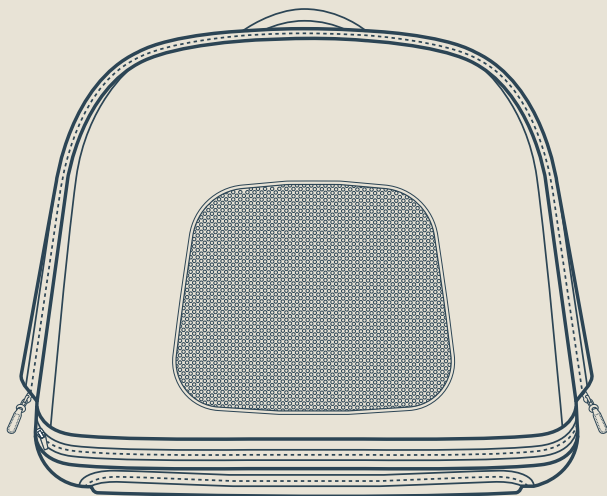


Crispin™ S

IMPACT TESTED PET CAR SEAT



TAVO

Go
Anywhere,
Together.

THANK YOU

You've just purchased a Tavo product, and you can be sure that your pet is getting the best there is. Our products are expertly engineered for safety, with luxury fabrics and sophisticated style. Whatever made you fall in love with Tavo, rest assured your adventures with your pet will be easier from now on, freeing you to enjoy more happy family moments together.

TAVO

Important! Keep these instructions for future reference: Read carefully.

Contents

PRODUCT INFORMATION	6
LIMITED WARRANTY	6
CONTACT	6
PET USAGE REQUIREMENTS	7
WARNINGS	8
PARTS LIST	10
PRODUCT USE	12
CLEANING & MAINTENANCE	20

Product Information

Model Number: _____

Manufactured in (date): _____

LIMITED WARRANTY

For limited warranty information, please visit:
www.tavopets.com/warranty

CONTACT

For replacement parts, service, or additional warranty questions, please contact our customer service department.

In the USA:

Tavo Pet Essentials
70 Thousand Oaks Blvd
Morgantown, PA 19543
info.usa@tavopets.com
www.tavopets.com
1-888-912-0375

In the EU:

NUNA International B.V.
Van der Valk Boumanweg 178 C,
2352 JD Leiderdorp, The Netherlands

In the United Kingdom:

Allison Baby UK Ltd,
Venture Point, Towers Business Park
Rugeley, Staffordshire, WS15 1UZ

Pet Usage Requirements

This carrier is suitable for use with pets weighing up to 50 lb/22.7 kg.

WARNING

Failure to follow these warnings and instructions could result in serious injury or death.

NEVER use this carrier with a child.

DO NOT use carrier with a pet weighing more than 50 lb/22.7 kg.

DO NOT allow more than one pet in the carrier when using the carrier in a vehicle.

If using the carrier in home with more than one pet, the combined weight of the pets **MUST NOT** exceed the weight limit of the carrier.

DO NOT leave the carrier in the vehicle when uninstalled, even when unoccupied. In a crash, it could become a projectile and cause injury.

DO NOT continue using the carrier if it has been involved in a moderate or severe vehicle crash. An accident can cause damage to it that you cannot see.

DO NOT use the carrier leash when carrier is used in vehicle.

When using this carrier in a vehicle, **all mesh panels MUST** be zipped closed, and the **side impact protection (SIP) MUST** be attached to the side of the carrier next to the vehicle door.

DO NOT leave pet unattended in a vehicle.

DO NOT use this carrier with mischievous animals. While this is a well-built pet carrier, it will not hold an unattended pet left to chew or scratch to get out.

Tavo Pets is not responsible for any damage that is caused by your pet.

DO NOT make any changes or modifications to the carrier that are not specified in this manual.

Use original Tavo Pets parts and accessories only.

Carrier is not intended for airline travel.

DO NOT leave the carrier exposed in the vicinity of a strong source of heat, i.e. a radiator or open fire, or store the carrier in a damp place.

Check regularly to make sure all parts are functioning correctly and not damaged or broken. For replacement parts, contact Tavo Pets.

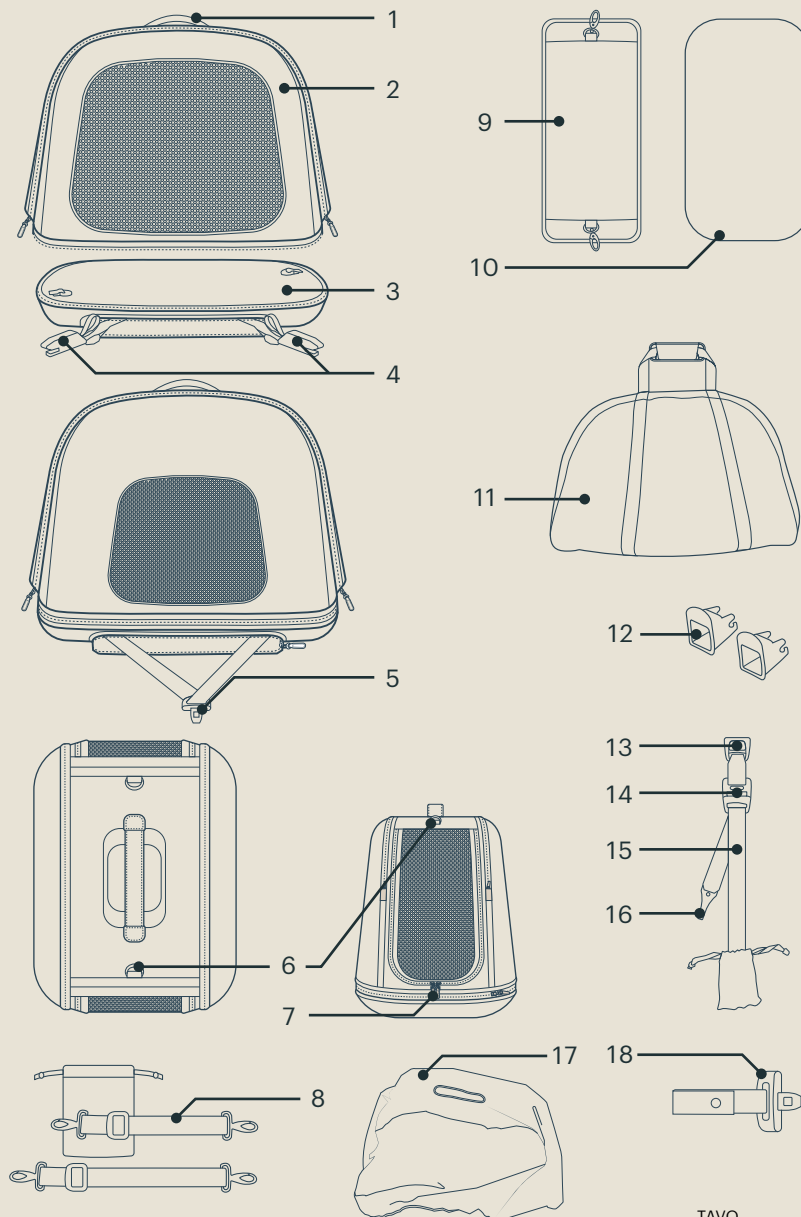
Safety Instructions

1. Please read this user manual completely and keep it in a safe place for future reference.
2. Before every trip, ensure that the load is properly secured and does not exceed the weight specified by the manufacturer. The total weight includes the empty weight, installed components, and cargo load.
3. Drive with caution, adjusting your driving style to match road conditions, and always comply with traffic regulations.

Parts List

Make sure all parts are available before assembly. If any part is missing, please contact Tavo Pets (page 6). No tools are required for assembly.

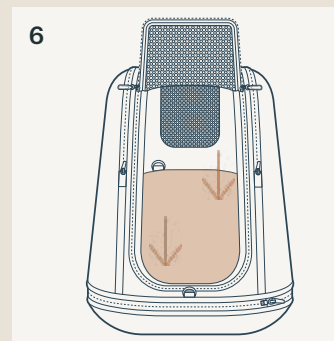
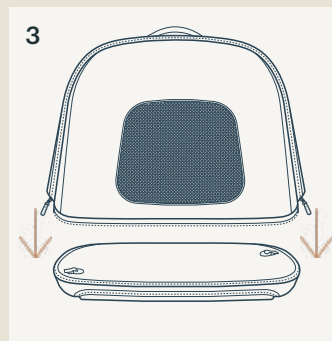
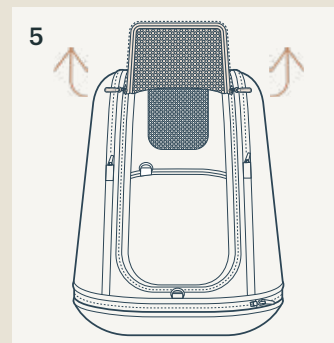
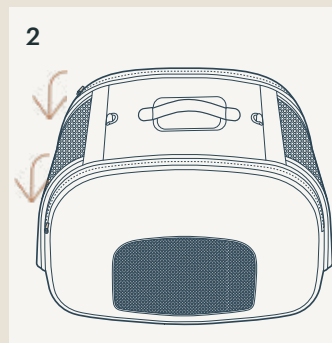
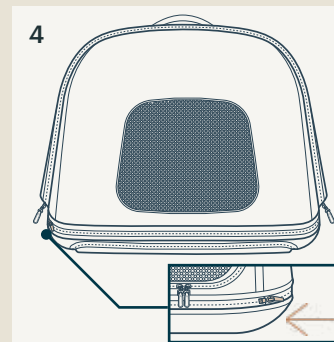
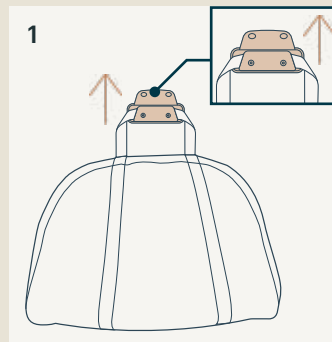
- 1 Handle
- 2 Carrier Top
- 3 Base
- 4 Lower Anchors
- 5 Tether Male Buckle
- 6 SIP Ring (Top)
- 7 SIP Ring (Bottom)
- 8 Carrier Leash (with Storage Bag)
- 9 Side Impact Protection (SIP)
- 10 Mattress (Comfort Mattress also included)
- 11 Carry Bag
- 12 Lower Anchor Guides Set
- 13 Tether Release Button
- 14 Tether Strap Adjuster
- 15 Tether Strap (with Storage Bag)
- 16 Tether Hook
- 17 Dust Cover
- 18 Tether Connection Strap



Product Use

CARRIER ASSEMBLY

- 1 Unsnap the handle cover, then take the unassembled carrier out of the carry bag.
 - 2 Zip the left and right panels to the center panel.
 - 3 Align zippers on carrier and base and completely zip together.
 - 4 Make sure base and carrier are properly secured together.
 - 5 Unzip mesh end panels to open.
- !** Use only one mattress at a time in the carrier.
- 6 Place mattress in carrier. Mattress should be level with bottom of carrier.



LOWER ANCHORS

- 1 Unzip to pull out the lower anchors.
- 2 Attach the lower anchors onto the lower anchor points of the vehicle seat.

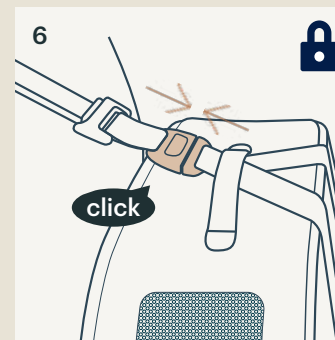
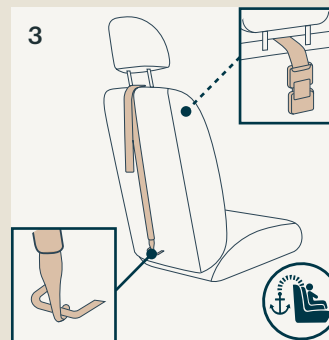
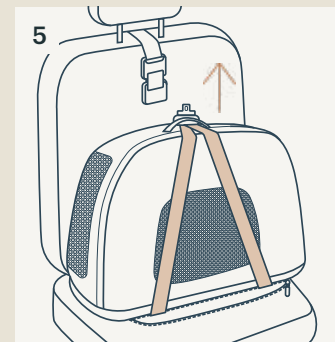
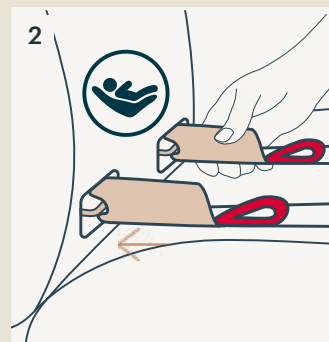
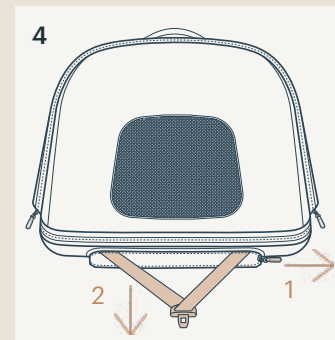
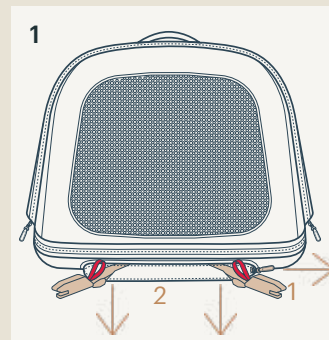
! Be careful not to twist the webbing.

TETHER

- 3 Take the tether strap and attach the tether hook to the vehicle's tether anchor.
- 4 Unzip to pull out the tether male buckle,
- 5 Route the tether male buckle UNDER the carrier handle.

! Be careful not to twist the webbing.

- 6 Attach the tether male buckle and tether female buckle.



TETHER

- 1 Pull the webbing to tighten the tether strap.
- 2 Ensure the tether strap is securely tightened, and the carrier is properly installed with its bottom lying flat on the vehicle seat, as shown in Figure 2.

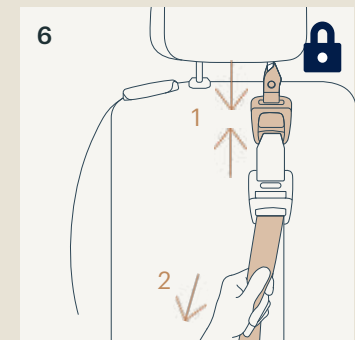
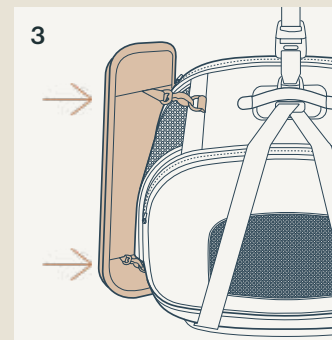
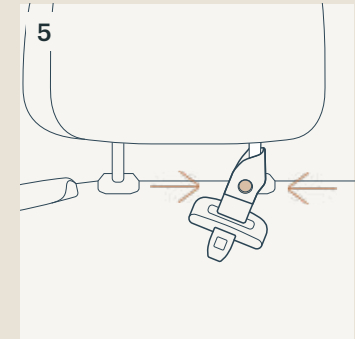
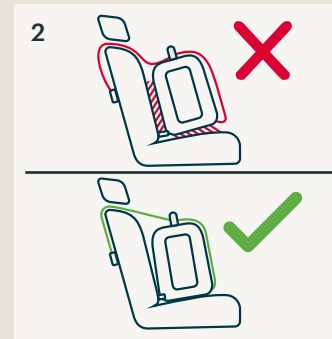
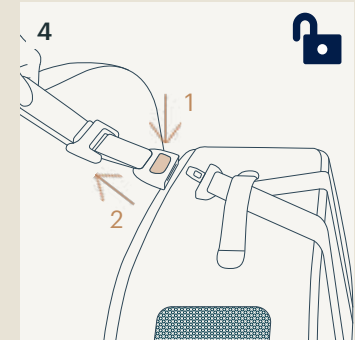
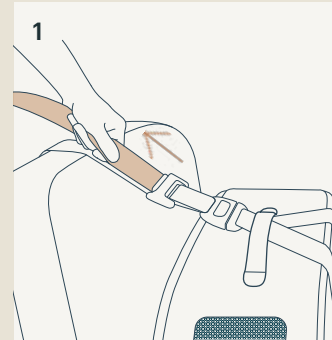
SIDE IMPACT PROTECTION (SIP)

- 3 Attach SIP clasps to SIP rings at top and bottom of mesh end panel.

- ⚠ The SIP **MUST** be attached to side of carrier that is next to vehicle door.
- ⚠ SIP is for use in vehicle only.
- ⚠ When not using the SIP, store it in a safe place to prevent damage.

UNINSTALL THE CARRIER

- 4 Press the tether release button to release the tether male buckle from female buckle.
 - 5 Attach the tether connection strap to the tube under the headrest of the vehicle seat with button.
 - 6 Attach the connection strap and tether female buckle. Pull the webbing to tighten the tether strap.
- ⚠ Press the tether release button to release the tether from the tether connection strap.



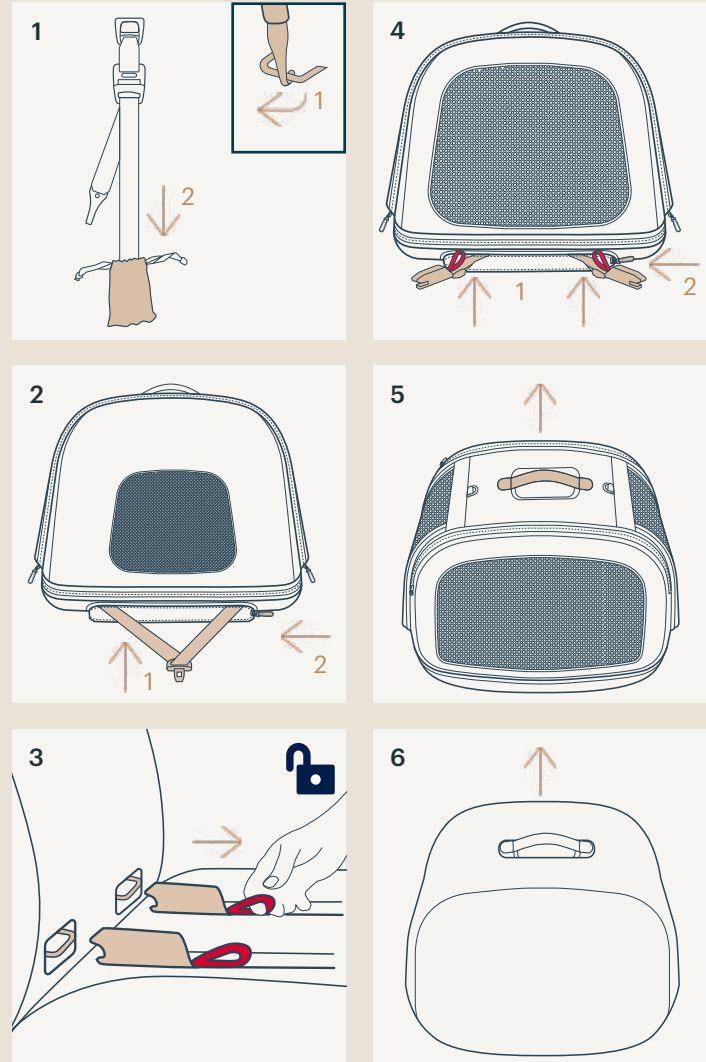
- 1 Remove the tether hook from the vehicle's tether anchor and store the tether in the storage bag for future use.
- 2 Store the tether male buckle in the base and zip up.
- 3 Pull the red webbing backwards to release the lower anchors.
- 4 Store the Lower Anchors in the base and zip up.

HANDLE

- 5 Carrier can be lifted by handle.

DUST COVER

- 6 Place the dust cover over the carrier, ensuring the handle goes through the hole in the cover. The dust cover will protect the carrier from dirt when it is not in use.



Cleaning & Maintenance

Clean the frame, plastic parts, and fabric with a damp cloth, but do not use abrasives or bleach. Do not use silicone lubricants as they will attract dirt and grime. Do not store the carrier in a damp place.

Unzip the liner and wash in cool water with mild detergent. Air dry.

Wash pet products separately from human laundry. Brush off any fur before putting pet laundry in the washing machine.

To ensure long-lasting use, wipe the carrier off with a soft, absorbent cloth and allow to fully dry after using it in rainy weather and before storing away.

Refer to the care label attached to the carrier for washing and drying instructions.

It is normal for fabric to fade from sunlight and to show wear and tear after a long period of use, even when used normally.

For safety reasons, only use original Tavo Pets parts.

Check regularly if everything functions properly. If any parts are torn, broken, or missing, stop using this product, and contact Tavo Pets for assistance (page 6).

